

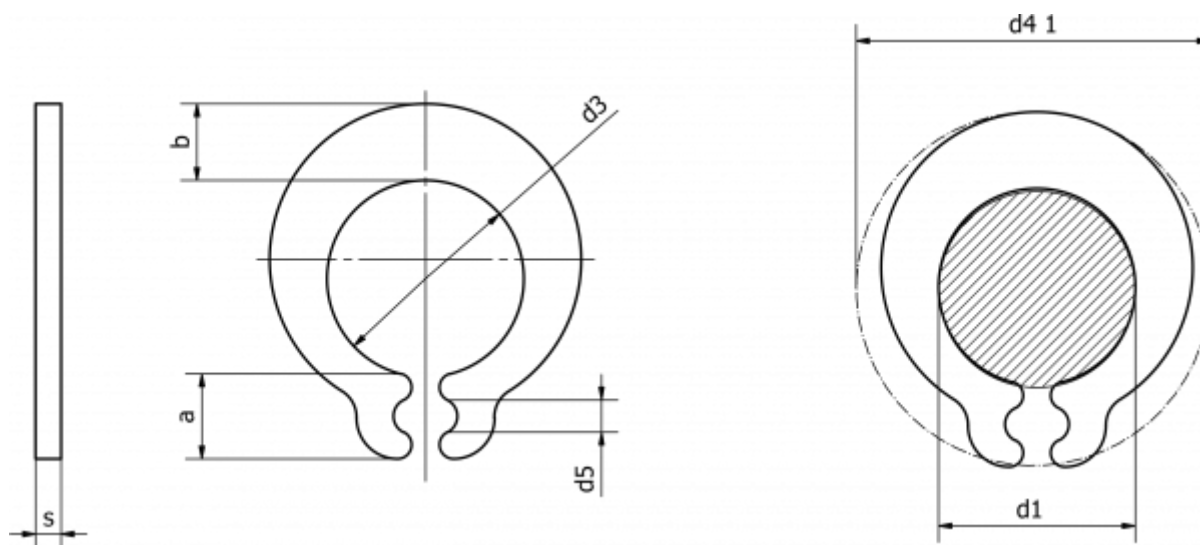
# Data Sheet



Article number: 0111037A

Description: Retaining ring G 20

## Measures



a max	= 6.1	n abl x 1000	= 20
b	= 7.1	s	= 1.75
d1	= 20.0	tol	= 0.130
d3	= 19.30	Tong	= ZGG-3
d4 1	= 34.4	Weight kg/1000	= 5.270
d5 min	= 2.5		
Description	= G 20,0		
Holding force N	= 700		